

# B.A.J. system design Ltd

45 A & B Hartlebury Trading Estate, Hartlebury, Nr Kidderminster, Worcestershire, DY10 4JB

Telephone: 01299 250052 Fax: 01299 251153

## ARTALU PRICE LIST - Supply Only 1st April 2004.

Model No	Approx Total Height mt	Height Top Rung mt	Sections Required			Brackets No	Weight kg
			Base m	Int m	Top m		
1	3.30	2.64	2.78	-	0.51	4	14
2	4.30	3.54	2.78	-	1.50	5	20
3	5.20	4.44	2.78	-	2.40	6	24
4	6.30	5.64	2.78	3.0	0.51	7	27
5	7.30	6.54	2.78	3.0	1.50	8	33
6	8.20	7.44	2.78	3.0	2.40	9	37
7	9.30	8.64	2.78	3.0x2	0.51	10	39
8	10.30	9.54	2.78	3.0x2	1.50	11	45

The ARTALU is manufactured from Anodised Aluminium Alloy 6063 with Stainless Steel 18/8 and Nylon Accessories.

Each Ladder is supplied with all Fixing Accessories, 1 Standard Opening Mechanism & Installation Instructions.

### ADDITIONAL COSTS:

ADDITIONAL LOCKING MECHANISM £15.00

CONNECTING ROD FROM£ 2.50

REINFORCING CHANNEL FROM £ 100.00 for 2.5 METRES

PACKING & DELIVERY : P.O.A

INSTALLATION P.O.A - Prices Quoted are for the Supply Only.

SITE VISITS P.O.A

VAT Standard Rate currently 17.5% will be applied to all prices.

### PAYMENT TERMS: Please read our standard terms of trading

Prices quoted are not firm and are subject to change without notice. Written quotations will be held for 30 days.

All Goods and/or Services are Supplied subject to our Terms & Conditions of Trading (available on request).

Vat Reg. No. 436 7211 57 Registered in England No. 3409633 Registered Office as above.

**All goods are supplied on our Terms and Conditions and NOT those of our Customer.**

### **Payment Terms**

We require payment in full with all first orders, thereafter Nett Monthly Account (subject to approval).

### **Discounts**

Trade / Contract discounts are not offered on first orders and are at the discretion of B.A.J at all times

Main Contractors Discounts are not included for and if required should be added by the contractor to the prices specified.

All prices are Nett and do not allow for retentions. Retentions will not be accepted.

### **Site Visits**

Are not included for in our price lists unless within a 25 mile radius of our Office. Any visits outside this area will be charged at £300.00 per visit.

### **Delivery & Off Loading**

All Deliveries are made by Carrier using a Standard Next Day Service.

The Driver is NOT responsible for off-loading the vehicle.

An authorized person must be available at the delivery address to accept the goods.

Delivery addresses must be clearly defined on the Purchase Order.

### **Installation**

Goods are normally supplied for installation by others and Unless specified, installation is not included.

All products should be Installed in accordance with the instructions provided and using the appropriate fixings for the supporting structure.

A firm base should be available for the product to rest upon.

### **Powder Coating**

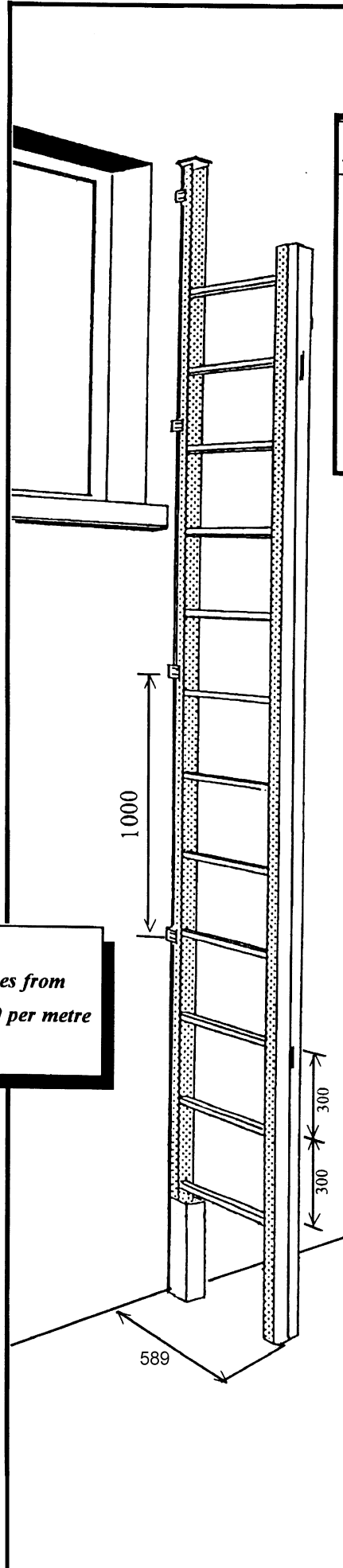
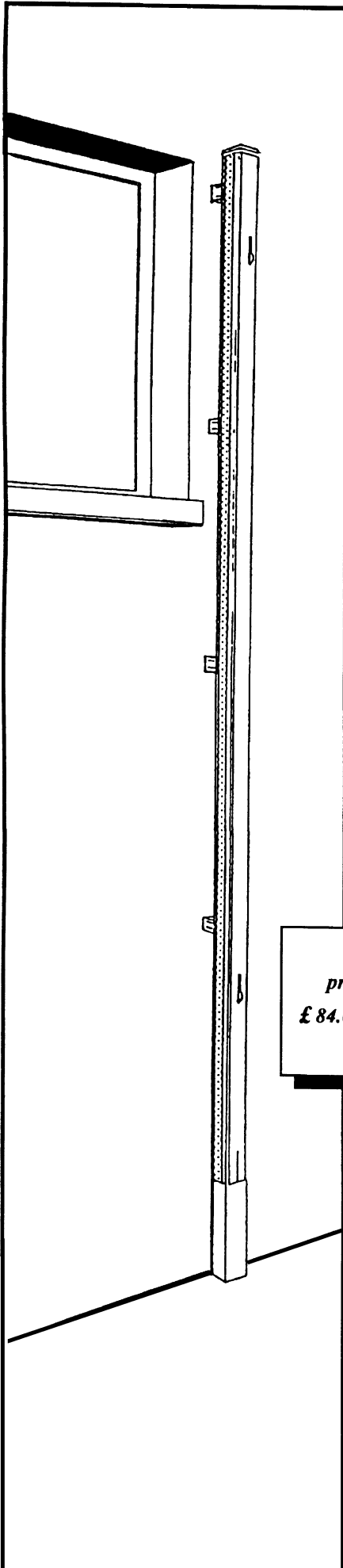
Where applicable, any finishes other than anodised aluminium are applied on top of the anodised surface and are only applied to the faces which remain visible when not in operation.

Quotations are based upon the information available at the time of quoting and upon the enquirers specifications unless site measurements have been taken by a representative of B.A.J. All quotations are valid for 30 days to order with a further 30 days for completion unless specified otherwise and do not include V.A.T. or any other Taxes.

# ARTALU

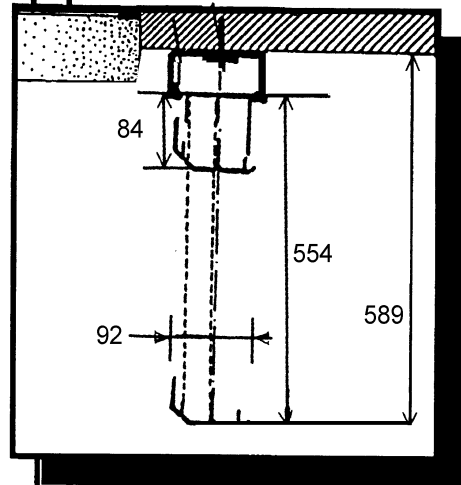
**B.A.J.**  
system  
design Ltd

Units 45 A/B Hartlebury Trading Estate,  
Nr Kidderminster, Worcestershire DY10 4JB  
Telephone : 01299 250052 Fax : 01299 251153



*prices from  
£ 84.00 per metre*

## ARTALU - TECHNICAL DATA



SECTION: 92 x 84 mm

WIDTH OF RUNGS  
BETWEEN UPRIGHTS: 448 mm

TOTAL LADDER WIDTH: 554 mm

WIDTH INC. BRACKET: 589 mm

RUNGS SECTION: 36 x 22.5 mm

RUNG SPACING: 300 mm

**AUTOMATIC LOCKING MECHANISM**

UNFOLDING : manual

FIXING : 1 x wall clip per 1000mm

CLOSING: made easier by Stainless Steel springs compensating the mobile uprights load, secured by up or down Safety Padlocks.

**STABILISED OPENING POSITION**  
by the mobile upright resting on the floor or by the sliding oblique stiffener located under the first base rung by a stop.

**RAW MATERIALS:**

- aluminium alloy 6063
- Stainless Steel 18/8 & Nylon
- no special maintenance

**RESISTANCE**

- a) load per single rung : 300kg
- b) load at mobile upright : 2500kg

**DILATION** :the ladder can slide in its own wall clips.

**WEIGHT PER METRE** (all accessories included) : 4.2kg

**EACH LADDER IS SUPPLIED WITH ALL ITS FIXING ACCESSORIES.**

**LONGER LADDERS CAN BE ASSEMBLED FROM 3M MODULAR ELEMENTS.**